



### Toroidal Common Mode Chokes

#### PTBL5258 Series



PTBL Series common mode toroidal chokes provide an efficient means of filtering supply lines having in-phase signals of equal amplitude thus allowing equipment to meet stringent electrical radiation specifications. Wide frequency ranges can be filtered by using high and low inductance Common Mode toroids in series. Differential mode signals can be attenuated substantially when used together with input and output capacitors.

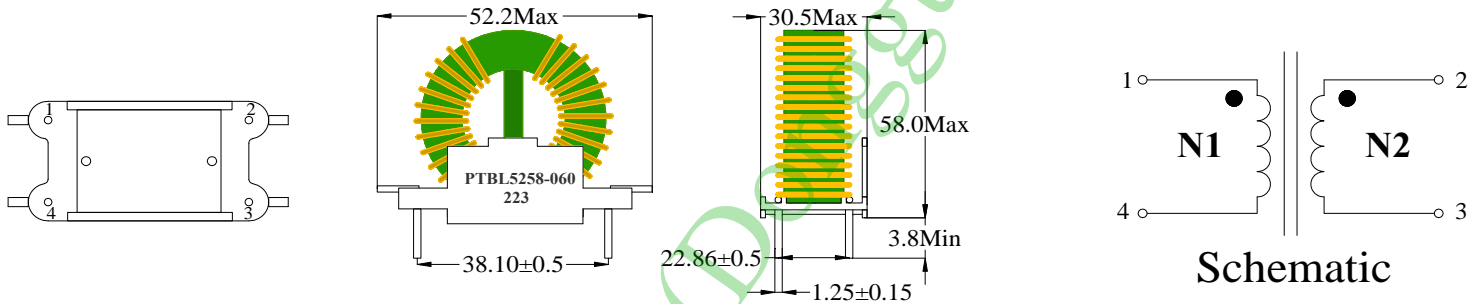
#### Features:

1. Separated windings for minimum capacitance
2. Competitive pricing due to high volume production
3. materials compliance RoHS & UL.

#### Electrical Specifications @ 25°C

1. Operating temperature: -40°C to +125°C
2. Maximum Ambient Temperature: 60°C
3. Inductance loss <10% by DC preload

#### Mechanical Dimensions & Schematics:



#### Specifications

Part Number	Inductance(mH )Min	Test frequency	Rated Current(A)	DCR(Ω)Max
PTBL5258-180-602	6	1KHZ/0.25V	18	0.028
PTBL5258-150-103	10	1KHZ/0.25V	15	0.033
PTBL5258-090-153	15	1KHZ/0.25V	9	0.06
PTBL5258-060-223	22	1KHZ/0.25V	6	0.117
PTBL5258-042-333	33	1KHZ/0.25V	4.2	0.124
PTBL5258-026-723	72	1KHZ/0.25V	2.6	0.5
PTBL5258-015-124	120	1KHZ/0.25V	1.5	1.15

#### Notes:

1. Wire:130°C or150°C
2. Core Material:'O p/\ p'hgttkg
3. The above specifications for the common specifications, customers can request custom design.